



D

RV WI-FI

ishyDock

POWER



USER GUIDE

User Guide 2024v2

This purchase will give you greater freedom to link your Starlink Satellite System and enjoy your travelling without sacrificing the lifestyle that the internet provides.

What makes up your RV WI-FI DishyDock Power

The RV WIFI DishyDock Power is the heart of the Starlink Integration System.

It converts your Starlink System to 12 volts, providing connectivity to the RV WIFI router and its extended WiFi range.

It converts 240v to 12v resulting better power usage and caravan battery life.

RV WIFI DishyDock Power



12V Power Cord (attached)



Starlink Adapter (Yeosheng)



0.3m AWG23 Ethernet Cable



Other kits available in the DishyDock system

DishyDock Ports (enclosed setup)

Connects your Starlink Dishy to your caravan or RV with ease.

Includes: 2 x DishyDock Ports

1 x 3,5,10 or 15m AWG23 Shielded Ethernet Cable



DishyDock Ports (weatherproof setup)

Connects your Starlink Dishy to your caravan or RV with ease. It can be used in an external set up.

Includes: 1x DishyDock Waterproof Port

1 x with or without 1 x 3,5,10 or 15m AWG23 Shielded Ethernet Cable



RV WIFI DishyDock Router

Connects to Starlink to provide excellent WIFI range.

Includes: 1 x DishyDock Router (brackets)

1 x 0.3m AWG23 Shielded Ethernet Cable

1 x 12V power supply

4 x WiFi antennas



RV WIFI5G Router

Upgrade to RV WIFI5G for the perfect integration.

5G access during travelling when Starlink is not operational.

Includes: 1 x RV WIFI5G router (brackets)

1 x 0.3m AWG23 Shielded Ethernet Cable

4 x WiFi and 4 x 3G/4G/5G Antennas

1 x 4x4 MIMO External Antenna



Installing your RV WI-FI DishyDock Power: ENCLOSED SET UP

1	Position your unit next to the internal DishyDock Port, DishyDock Router/RVWIFI5G Router and a double 12V - 10 A (AWG14) power socket.
2	Insert 1 x 0.3m Ethernet cable into the port labelled - 'DishyDock Router' (Silver) The other end of the Ethernet Cable into the Dishy-Dock Router/5G (Blue) into the BLUE WAN port. Important: DO NOT INSERT THE YELLOW LAN PORTS
3	Insert 1 x 0.3m Ethernet into the port labelled - 'Dishy' (Silver) The other end of the Ethernet cable into the 'Dishy-Dock' port (White)
4	Insert the power cord into one of the two 12V - 10 A power sockets
5	Insert the DishyDock Router/RV WIFI 5G Router power cord into the second 12V - 10 A power socket.
NOTE	Note: Do not hard wire the DishyDock/ 4G /5G routers unless discussed with RV WIFI



Ethernet Cable Set Up



PORT (white)



ROUTER (silver) DISHY(silver)



WAN (blue)

Connecting your DishyDock System Together

- 1** Install your Starlink App as instructed in the Starlink User Guide.
Position your Dishy as instructed in the Starlink User guide.
Insert the Dishy Cable into the Starlink adapter.
Insert the adapters ethernet cable into the DishyDock Port on the outside of your RV.



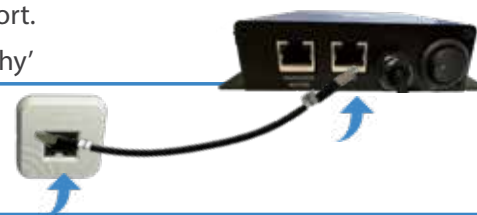
- 2** Position the four parts of the DishyDock System together in the displayed configuration. It must be in an accessible location inside your Caravan/RV.
Your internal DishyDock Port will either be connected via cables or directly from the external DishyDock Port.

NB: must be at least 1.5m from solar inverter



- 3** Insert each end of the 0.3m ethernet cable into its corresponding ports.
- 'DishyDock Port' labelled end will go into the white DishyDock Port.
- 'DishyDock Power' labelled end will go into the port labelled 'Dishy'

- 4** Insert the 12V power plug into one of the 12V - 10 A wall sockets.



- 5** Insert each end of the second 0.3m ethernet cable into its corresponding ports.
- 'DishyDock Power' labelled end will go into the DishyDock Power RJ45 port labelled 'DishyDock Router'
- Blue 'WAN' labelled end into the Blue WAN port of Router.
NB: DO NOT USE YELLOW LAN PORTS



- 6** Insert the 12V power adapter into the router.

- 7** Insert the 12V power adapter into the second 12 V - 10 A power socket and turn system on.



Installing your RV Wi-Fi DishyDock Power: WEATHERPROOF SETUP

1	Decide on a location for the DishyDock System inside and outside your RV.
2	Drill a hole according to dimensions provided in Installation Kit, taking note of Wiring Diagram provided by RV manufacturer.
3	Mount the external RJ45 IP67 DishyDock Port, using fixings to suit the material of your RV walls.
4	Mount your DishyDock Power next to the Port, Router and a double 12V - 10 A (AWG14) power socket.
5	Insert 1 x 0.3m ethernet cable into the port labelled - DishyDock Router (Silver). Insert the other end of the ethernet Cable into the Router/5G (Blue) into the BLUE WAN ports. Important: DO NOT PLUG INTO THE YELLOW LAN PORTS.
6	Insert 1 x 0.3m ethernet into the port labelled - Dishy" (Silver) Insert the other end of the ethernet cable into the DishyDock port (White).
7	Insert the power cord into one of the two 12 V - 10A power sockets.
8	Insert the DishyDock Router/RV WIFI 5G Router power cord into the second 12V - 10 A power socket.
Note	Note: Do not hard wire the DishyDock/4G DishDock or 5G routers unless discussed with RV WIFI



Ethernet Cable set up

1	See previous page.
---	--------------------

Connecting your DishyDock System together

- 1 Install your Starlink App as instructed in the Starlink User Guide.
Position your Dishy as instructed in the Starlink User guide.
Insert the Dishy Cable into the Starlink adapter.
Insert the adapters ethernet cable into the DishyDock Port on the outside of your RV.



- 2 Position the four parts of the DishyDock System together in the displayed configuration.
It must be in an accessible location inside your Caravan/RV.
Your internal DishyDock Port will either be connected via cables or directly from the external DishyDock Port.

NB: must be at least 1.5m from solar inverter



- 3 Insert each end of the 0.3m ethernet cable into its corresponding ports.
- 'DishyDock Port' labelled end will go into the white DishyDock Port.
- 'DishyDock Power' labelled end will go into the port labelled 'Dishy'



- 4 Insert the 12V power plug into one of the 12V - 10 A wall sockets.



- 5 Insert each end of the second 0.3m ethernet cable into its corresponding ports.
- 'DishyDock Power' labelled end will go into the DishyDock Power RJ45 port labelled 'DishyDock Router'
- Blue 'WAN' labelled end into the Blue WAN port of Router.
NB: DO NOT USE YELLOW LAN PORTS



- 6 Insert the 12V power adapter into the router.



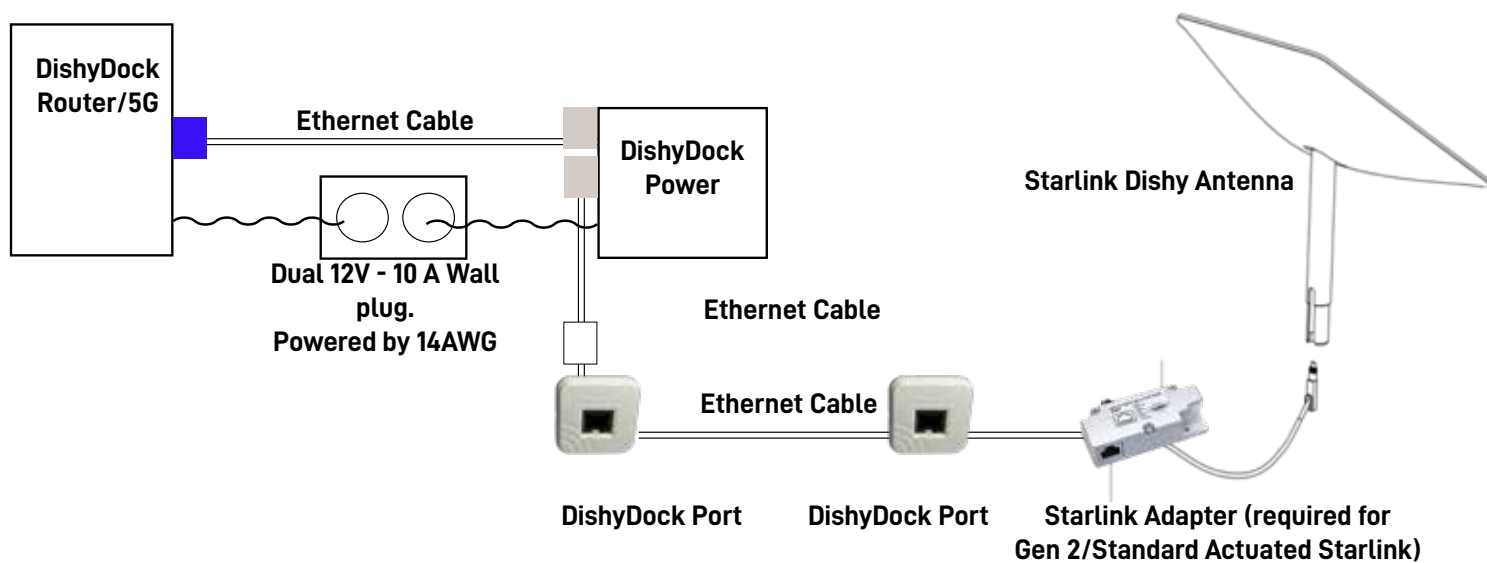
- 7 Insert the 12V power adapter into the second power socket and turn system on.



Enclosed Set up:

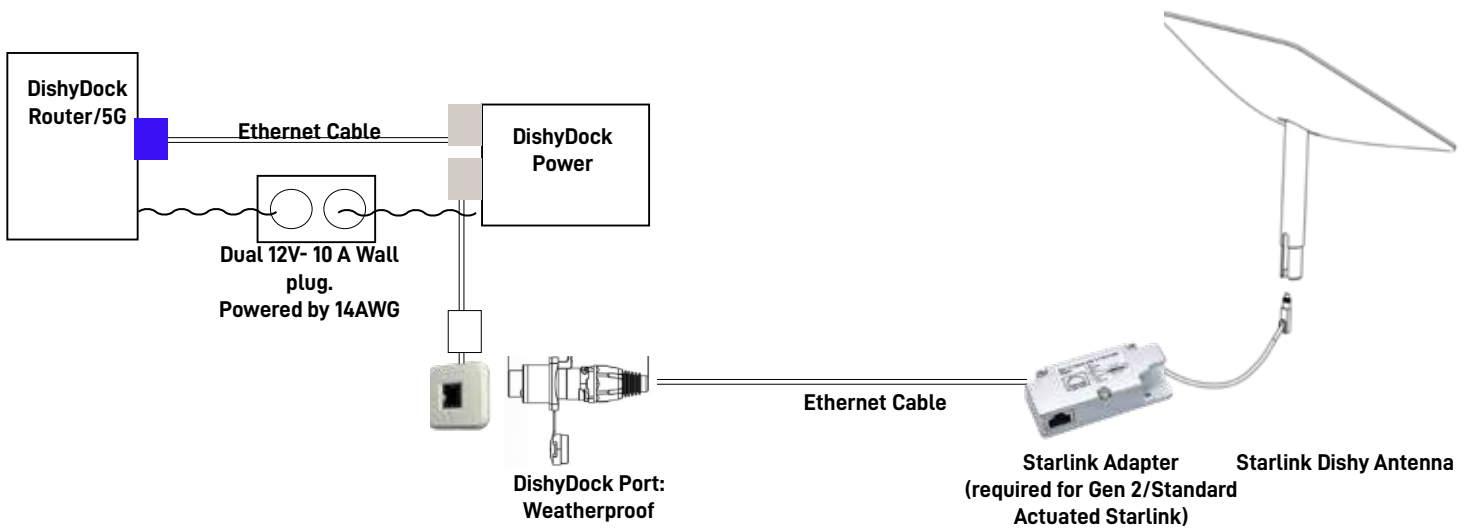
Enclosed DishyDock Ports and Ethernet Cable.

Choose between 3, 5, 10 or 15m length Ethernet Cable



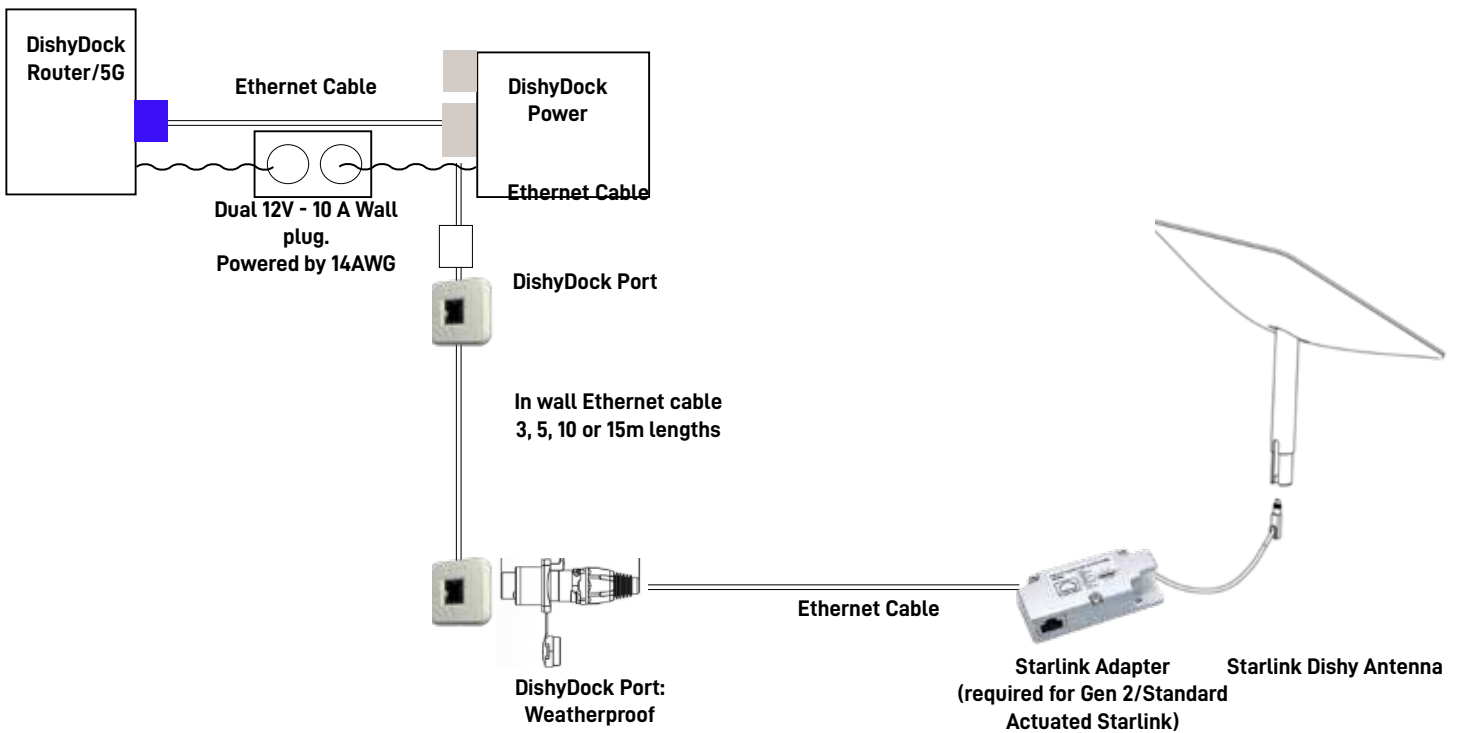
Weatherproof Set up (no cable):

Weatherproof IP67 DishyDock Ports: No cable



Weatherproof Set up:

Weatherproof IP67 DishyDock Ports:



Frequently asked questions

Can I use the RV WIFI router that I currently have?

If you have an RV WIFI 5G router currently, it will fit perfectly into the DishyDock set up. If you have an RV WIFI+4GX or an RV WIFI4G router, then you can also use it in the DishyDock System, but it will not provide you with as good speeds as either the RV WIFI5G router or Starlink as it is operating on the 4G network.

How do I know who the source provider of the internet will be if I have the RV WIFI5G router and Starlink set up?

If you have Starlink connected then Starlink will be the source provider. To have the router use the SIM card, then unplug Dishy.

Which Port should I plug the ethernet cable into my router?

Always use the BLUE WAN PORT when connecting the Router to the DishyDock Power.

Why would I use the RV WIFI routers instead of the Starlink Router?

The RV WIFI routers are wall mounted, so they are just set up, neat and easy. They also provide a superior WIFI range, upto 40 meters around your campsite and into the tow vehicle (RV WIFI5G model when Dishy is not in use).

If I have a DishyDock Router, can I access the cell tower network?

No. The DishyDock Router, does not have an internal modem. It will only work with when connected to the Starlink Dishy.

I bought a DishyDock Router, but have now decided that I want to use the cell tower network at times and pause my Starlink Plan. Can I do this?

Yes! You will need to send your router back to us for the upgrade. This will require installing a 5G modem in to the DishyDock Router. There is a cost to this. Please email us at info@rvwifi.com.au for more information.

Do I have to do anything to switch between Starlink and RV WIFI5G connection? When using our DishyDock System, simply remove the Dishy cable from the DishyDock Port and turn the DishyDock Power box off. The RV WIFI5G will automatically take over receiving the signal where it is available.

How many amps do I need to run this system?

You need a 10 amps.

What versions of Starlink does this system support?

- Gen 1
- Gen 2 (Standard Actuated)
- Gen 3 (Standard)

